

Product data sheet

Characteristics

HOM1224M100PRB

Load center, Homeline, 1 phase, 12 spaces, 24 circuits, 100A convertible main breaker, PoN, NEMA3R

Product availability : Non-Stock - Not normally stocked in distribution facility



Main

Product Type	Load Center
Marketing Trade Name	Homeline
Load Center Type	Main breaker
Rated Current	100 A
Number of Spaces	12
Maximum Number of Single Pole Circuits	24
Enclosure Rating	NEMA 3R for outdoor
Cover Type	Surface cover
Electrical Connection	Lugs
Provided Equipment	Circuit breaker 1) 2P 100 A 120/240 V AC main supply ready assembled

Complementary

Max Short Circuit Current Rating	22 kA
Maximum Number of Tandem Breakers	12
Number of Phases	1 phase
Voltage Rating	120/240 V AC
Wire Size	AWG 6...AWG 2/0 aluminium AWG 6...AWG 1 copper
Ground Bar	Grounding bar (ordered separately)
Wiring Configuration	3-wire
Busbar Material	Tin plated aluminium busbar
Enclosure Material	Welded galvanized steel

* Price is "List Price" and may be subject to a trade discount – check with your local distributor or retailer for actual price.

Surface Finish	Baked enamel Gray
Box Number	3R
Height	18.94 in (481 mm)
Width	14.76 in (375 mm)
Depth	4.53 in (115 mm)

Environment

Ambient Air Temperature for Operation	23 °F (-5 °C) 104 °F (40 °C)
Product Certifications	UL listed file E-6294

Ordering and shipping details

Category	00145 - HOM LC&CVR,12-42CKT NEMA3R
Discount Schedule	DE3C
GTIN	00785901861195
Nbr. of units in pkg.	1
Package weight(Lbs)	1 lb(US) (0.45 kg)
Returnability	Yes
Country of origin	US

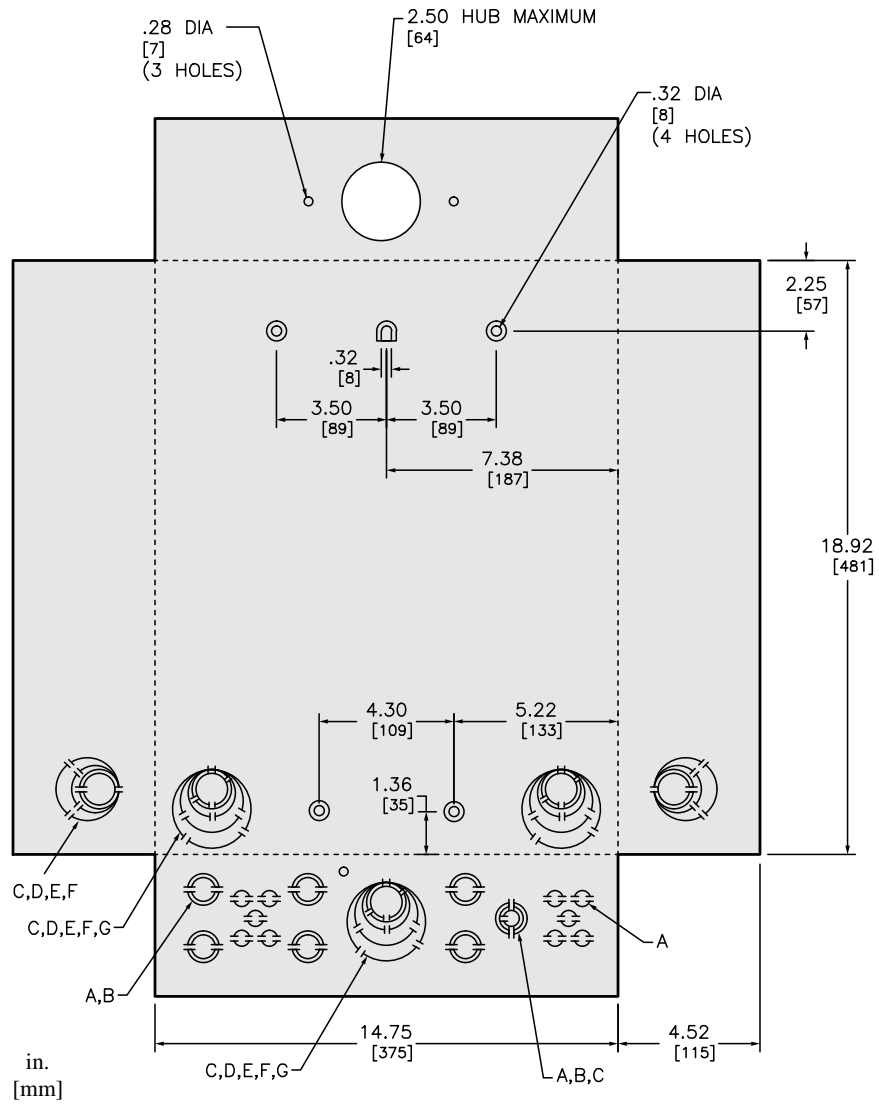
Packing Units

Unit Type of Package 1	PCE
Package 1 Height	5.00 in (12.7 cm)
Package 1 width	15.50 in (39.37 cm)
Package 1 Length	20.80 in (52.832 cm)
Unit Type of Package 2	PAL
Number of Units in Package 2	45
Package 2 Weight	1016.00 lb(US) (460.849 kg)
Package 2 Height	50.00 in (127 cm)
Package 2 width	40.00 in (101.6 cm)
Package 2 Length	48.00 in (121.92 cm)

Offer Sustainability

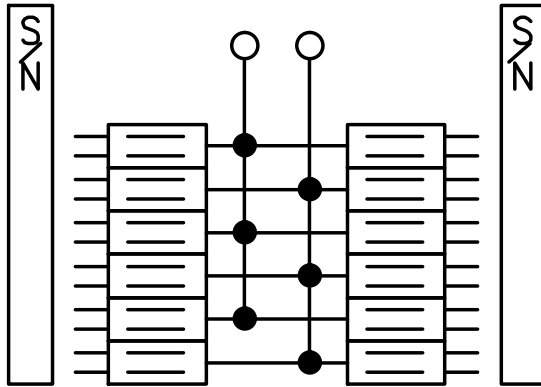
Sustainable offer status	Green Premium product
California proposition 65	WARNING: This product can expose you to chemicals including: Lead and lead compounds, which is known to the State of California to cause cancer and birth defects or other reproductive harm. For more information go to www.P65Warnings.ca.gov
REACH Regulation	REACH Declaration
REACH free of SVHC	Yes
EU RoHS Directive	Compliant EU RoHS Declaration
Toxic heavy metal free	Yes
Mercury free	Yes
RoHS exemption information	Yes
China RoHS Regulation	China RoHS declaration Pro-active China RoHS declaration (out of China RoHS legal scope)
Environmental Disclosure	Product Environmental Profile

Dimensions

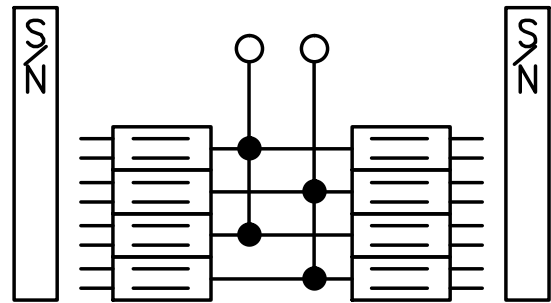


KNOCKOUTS							
SYMBOL	A	B	C	D	E	F	G
IN	.50	.75	1.00	1.25	1.50	2.00	2.50
MM	13	19	25	32	38	51	64

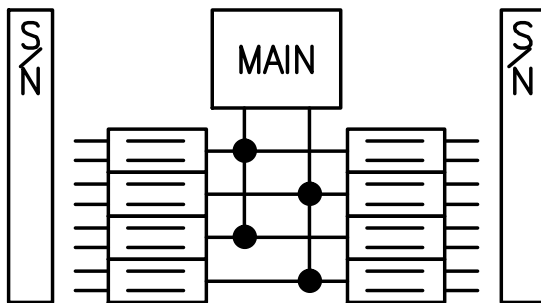
Wiring Diagram



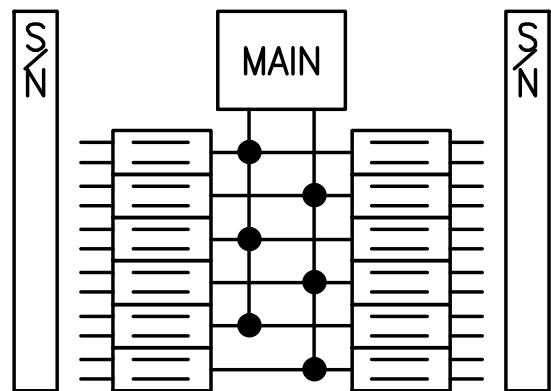
HOM1224L125PRB



HOM816L125PRB



HOM816M100PRB
HOM816M125PRB



HOM1224M100PRB